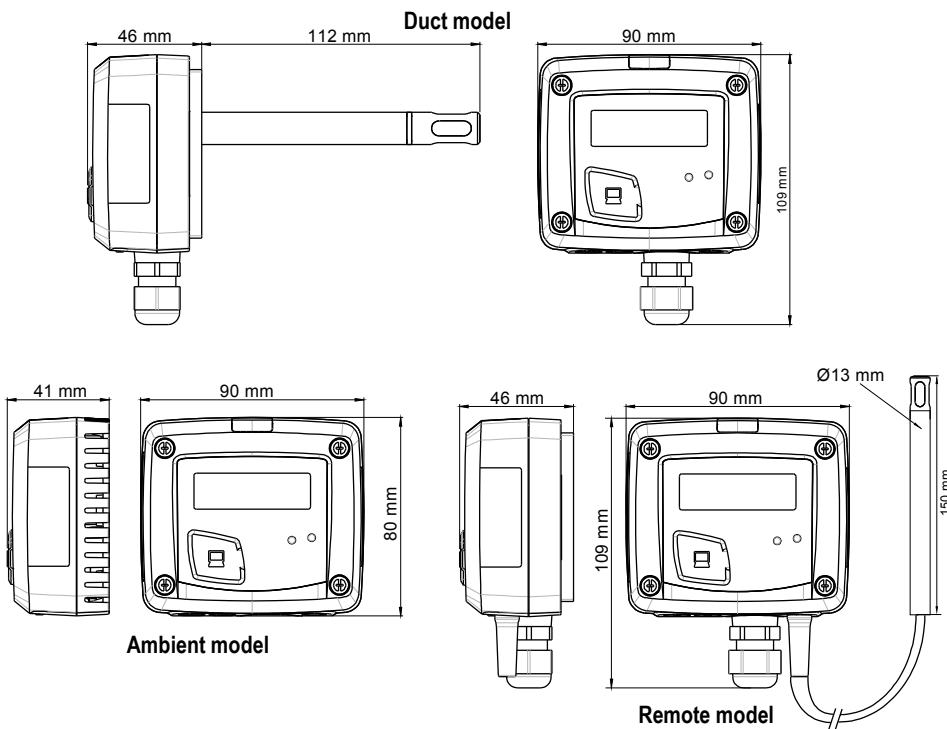


TH 110



- 5~95% RH / 0~+50 (ambient model), -20 ~ +80 ()
- 0~10V active , 24 Vac/Vdc (3-4 wires) or 4-20 mA passive loop , 16~30 Vdc (2wire)
- ABS V0 , IP65(duct or remote model), IP20(ambient model) 가
- "¼ turn" system mounting with wall-mount plate
-
-



ABS V0 as per UL94

IP65 (duct and remote models)
IP20 (ambient model)

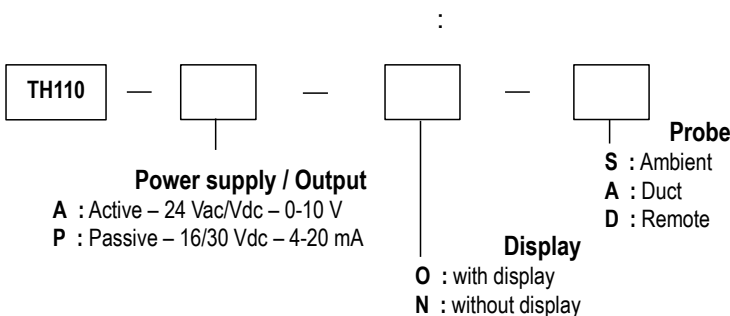
LCD 10 digits. Size : 50 x 17 mm
Alternating display of humidity and temperature

Height of digits
Values : 10 mm
Units : 5 mm

(remote and duct models)
For cables Ø 8 mm maximum

124 g (ambient model) ; 135 g (duct and remote models)

: length 2 m and Ø 4.8 mm in silicone



Example : TH110 - ANS
& TH110
0-10V active , ambient model

	Ambient model : from 0 to 50 °C Remote and duct models : from -20 to +80 °C
	CMOS : ± 0.4 % of reading ± 0.3 °C NTC : ± 0.3 °C (de -40°C à 70°C) ; ± 0.5 °C outside
	°C / °F
	1/e (63%) 15 s
	Ambient model : CMOS Remote and duct models : NTC
	0.1 °C
	Air and neutral gases

*All the accuracies indicated in this technical datasheet were stated in laboratory conditions, and can be guaranteed for measurements carried out in the same conditions, or carried out with calibration compensation.

	From 5 to 95% RH
	From 0 to 100%RH
	± 1.5 % RH (if $15^{\circ}\text{C} \leq T \leq 25^{\circ}\text{C}$) on remote and duct models ± 1.8 % RH (if $15^{\circ}\text{C} \leq T \leq 25^{\circ}\text{C}$) on ambient model
Drift linked to temperature	$\pm 0.04 \times (T-20)$ %RH (if $15^{\circ}\text{C} \leq T \leq 25^{\circ}\text{C}$)
	% RH
	1/e (63%) 4 s
	Ambient model : CMOS Remote and duct models : NTC
	0.1% RH
	± 0.88 % HR
	Air and neutral gases

*All the accuracies indicated in this technical datasheet were stated in laboratory conditions, and can be guaranteed for measurements carried out in the same conditions, or carried out with calibration compensation.

As per NFX 15-113 and the Charter 2000/2001 HYGROMETERS, GAL (Guaranteed Accuracy Limit) which has been calculated with a coverage factor value of 2 is ± 2.58 %RH between 18 and 28°C on the measuring range from 3 to 98%RH. Sensor drift is less than 1%RH/year.

- /
- active sensor 0-10 V (power supply 24 Vac/Vdc $\pm 10\%$), 3-4 wires
- passive loop sensor 4-20 mA (power supply 16/30 Vdc), 2 wires
- maximum load : 500 Ohms (4-20 mA)
- minimum load : 1 K Ohms (0-10 V)

2 VA (0-10 V) or max. 22 mA (4-20 mA)

EN61326

Screw terminal block for cables $\varnothing 0.05$ to 2.5 mm²

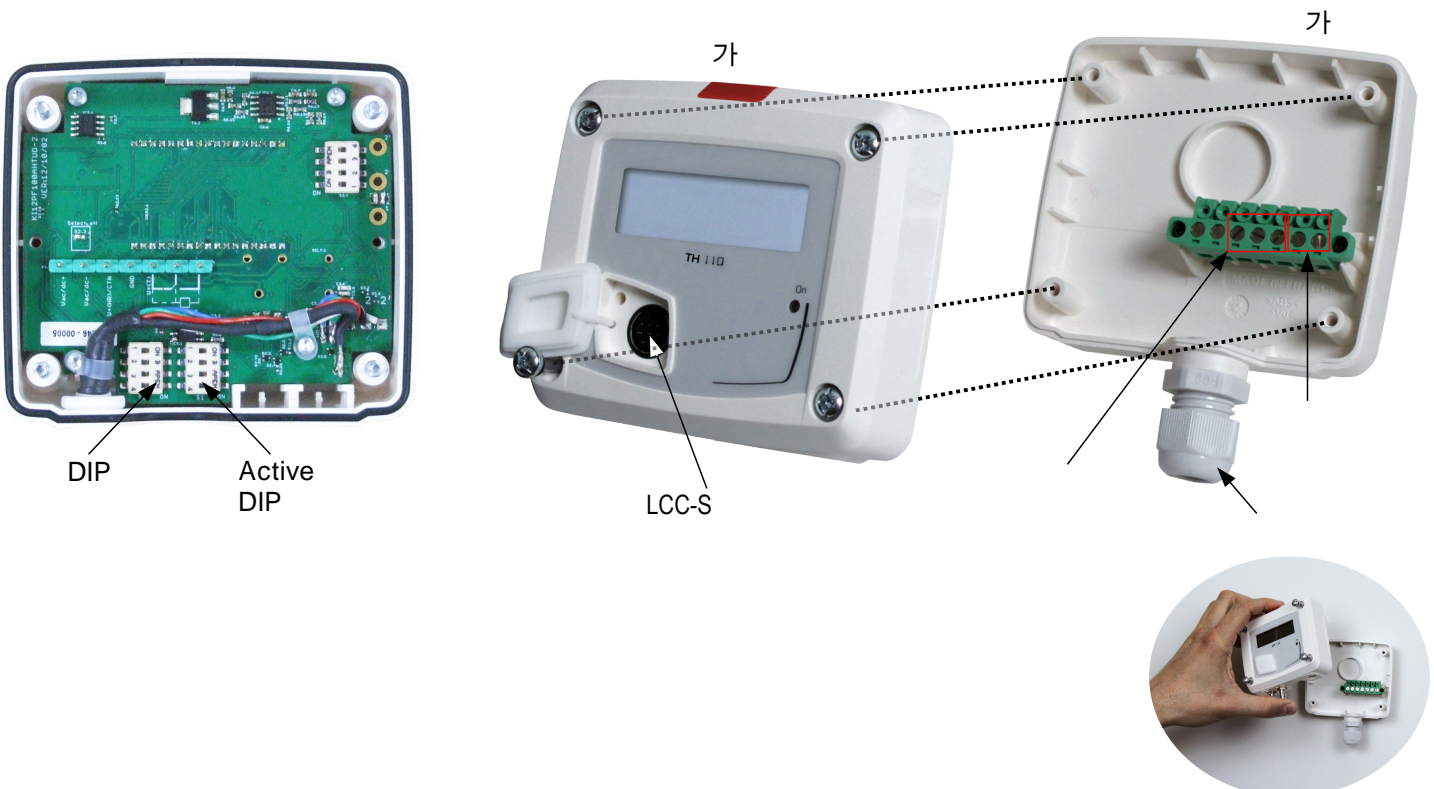
PC
Kimo USB-mini Din cable

Air and neutral gases

From 0 to 50 °C

From -20 to +80 °C

From -10 to +70 °C



- NFC15-100 standard

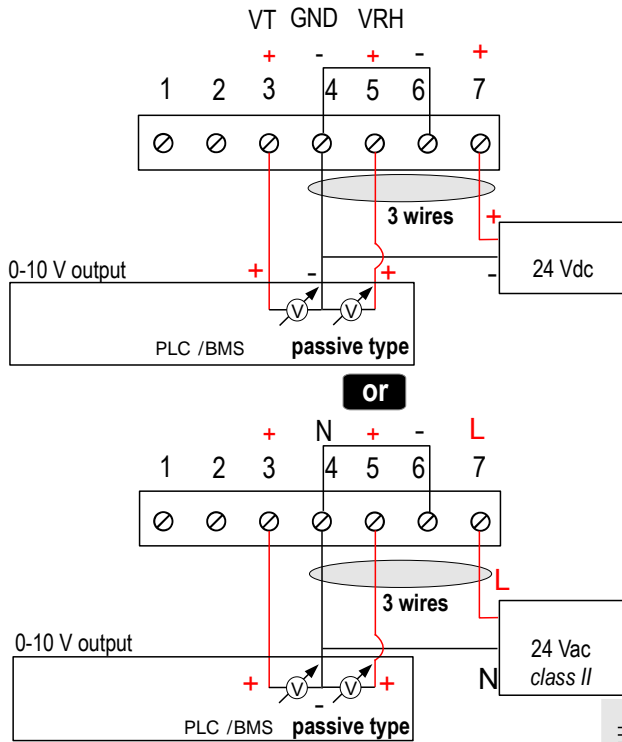
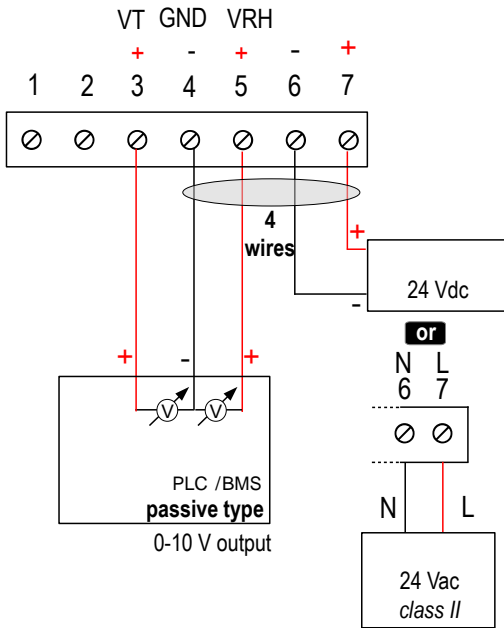


This connection must be made by a qualified technician. To make the connection, the transmitter must not be energized.

For TH110-AOS, TH110-ANS, TH110-AOD, TH110-AND, TH110-AOA, TH110-ANA models with 0-10 V output – active :



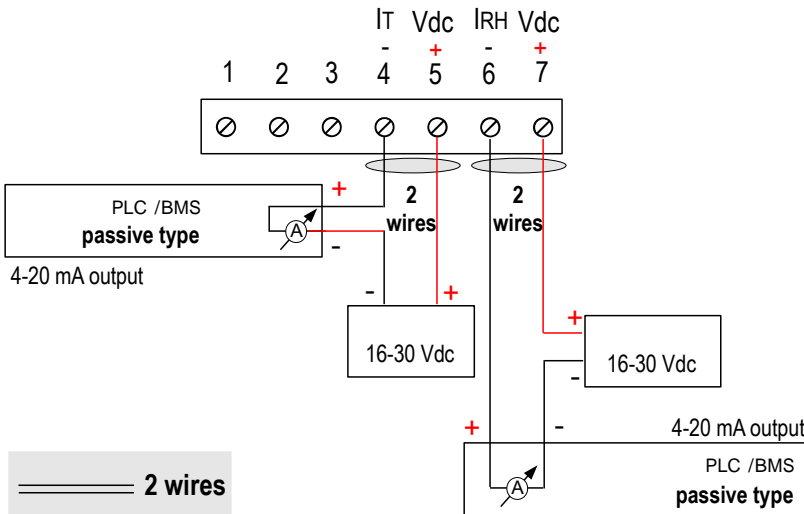
To make a 3-wire connection, before powering up the transmitter, please connect the output ground to the input ground. See drawing below.



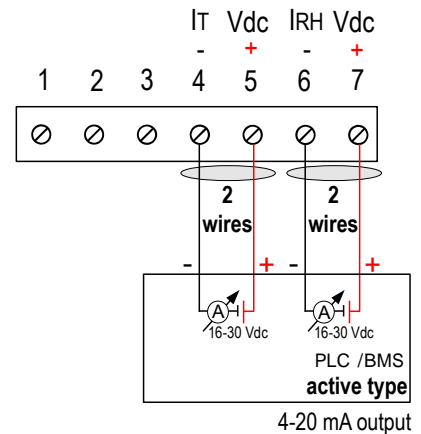
4 wires

3 wires

For TH110-POS, TH110-PNS, TH110-POD, TH110-PND, TH110-POA, TH110-PNA models with 4-20 mA output – passive :



or



2 wires

4-20 mA output

LCC

, DIP

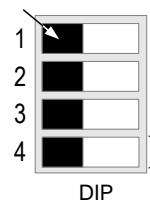
가



To configure the transmitter, it must not be energized. Then, you can make the settings required, with the DIP switches (as shown on the drawing below). When the transmitter is configured, you can power it up.

On - off

4
DIP



DIP



DIP

"CONFERROR",

가
가

- active

(4)

	°C	°F
1		1
2		2
3		3
4		4

- active

To set an output, put the on-off switches 1, 2 et 3 of the measuring ranges as shown below.

	From 0 to +50°C	From -20 to +80°C	From -50 to +50°C	From 0 to 100°C
1		1	1	1
2		2	2	2
3		3	3	3
4		4	4	4

CONFIGURATION VIA LCC-S SOFTWARE (option)

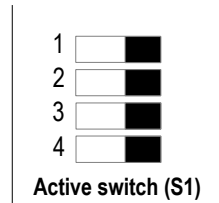
An easy and friendly configuration with the software !

It is possible to configure intermediate ranges, an offset

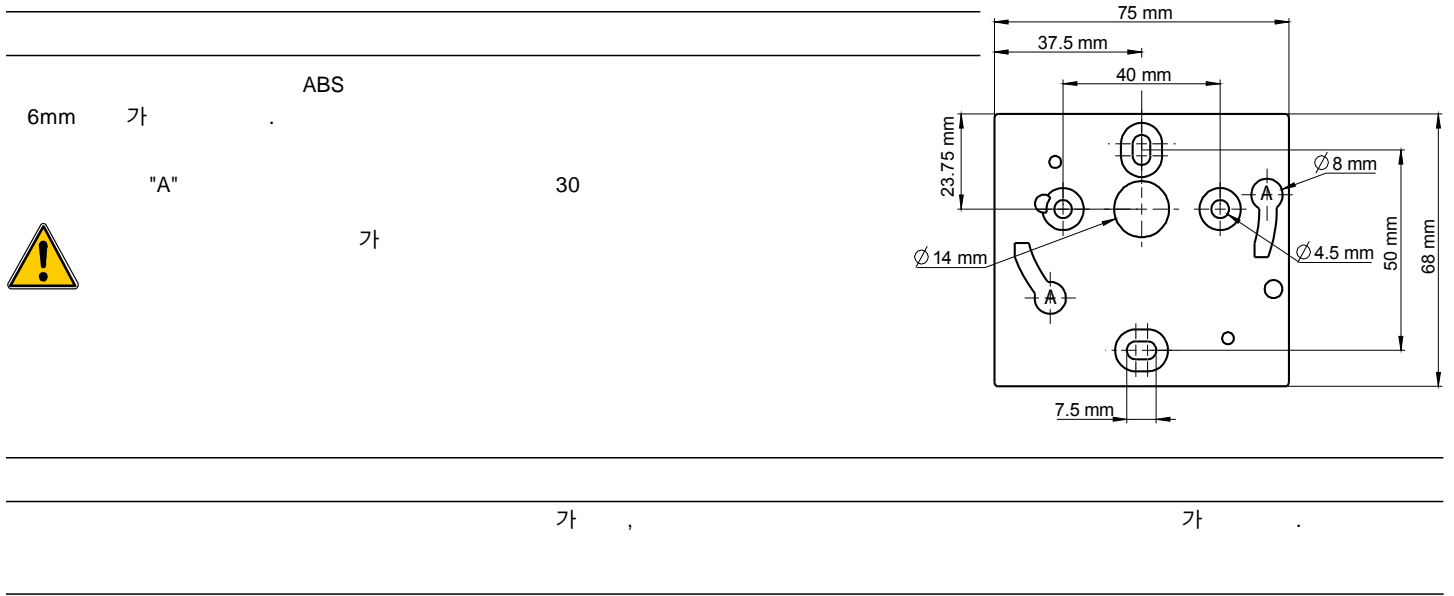
Example : for a 0-100 °C transmitter, minimum delta minimum is 20 °C. The instrument can be configured from 0 to +20 °C or from -10 to +10 °C.

In order to compensate a possible drift of the sensor, it is possible to add an offset to the displayed value by the TH110 transmitter : it shows 48%RH, a standard instrument shows 45%RH. It is then possible, via the software, to integrate an offset of -3 to the displayed value by the TH110 instrument.

- To access the configuration via software :
 - Set the DIP switches as shown beside.
 - Connect the cable of the LCC-S to the connection of the transmitter.
- Please refer to the user manual of the LCC 100 to make the configuration.



The configuration of the parameters can be done either with the DIP switch or via software (you can not combine both solutions).



KIAL-100A : Class2 , 230Vac input, 24Vac output

LCC-S : USB

- Stainless steel sliding fittings
- PC cable gland
- ABS connection with connection gland

- Stainless steel connections
- Wall-mount plate for humidity remote probe

www.kimocorea.com

Distributed by :



EXPROT DEPARTMENT

Tel : 02-338-0023 Fax : 02-338-0083

e-mail : kimo@kimocorea.com